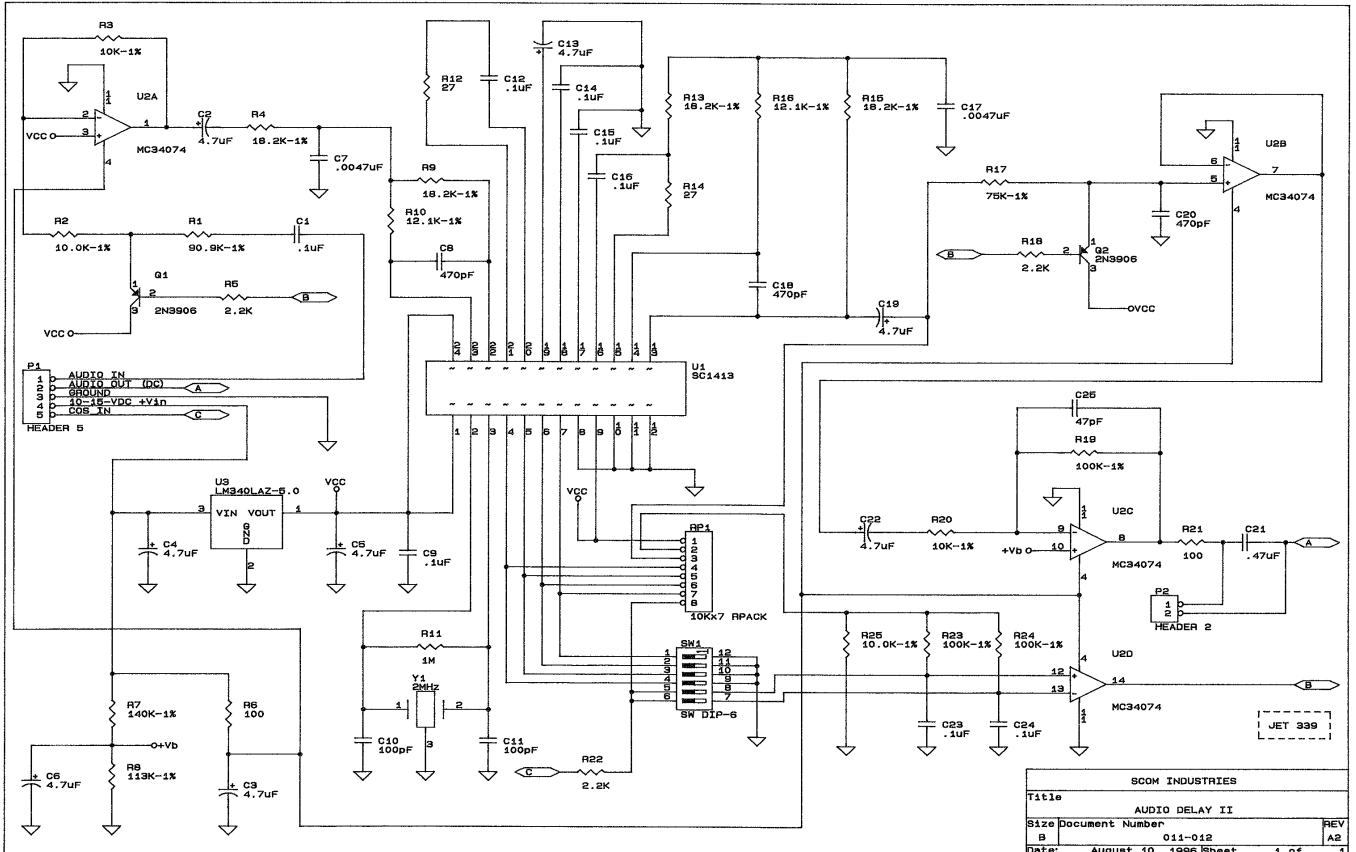


This schematic is here courtesy of Scom Industries



SCOM INDUSTRIES		
Title	AUDIO DELAY II	
Size Document Number	011-012	
Date:	August 10, 1986 Sheet	1 of 1